

CRZ S3C6410 Mango64R2 Manual

<http://www.mangoboard.com/>

<http://cafe.naver.com/embeddedcrazyboys>

Crazy Embedded Laboratory

Document History

Revision	Date	Change note

목차

1.	S3C6410 Mango64R2 Hardware Specification	4
2.	Block Diagram	5
3.	Mango64(S3C6410) Revision 부품 배치	5
3.1.	부품면 TOP	5
3.2.	부품면 Bottom	6

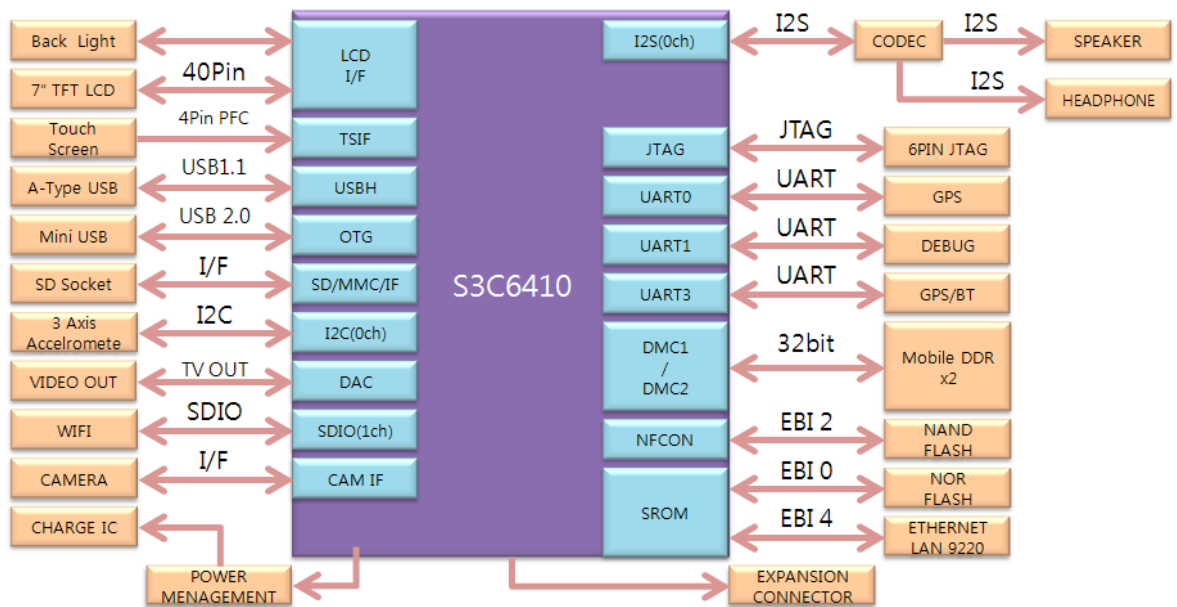
1. S3C6410 Mango64R2 Hardware Specification

CPU	ARM1176JZF-S S3C6410X	533/667MHz Application Processor
Memory	Mobile DDR	128Mbytes
	SLC NAND Flash	256Mbytes
	NOR Flash	4Mbytes
Display	7" WVGA(800x480) Color TFT	with Touch Screen Interface
	LCD 40Pin CONNECTOR	
Audio	Wolfson WM8960 Audio Codec	with 1W Stereo Speaker Amplifier
Ethernet	SMSC LAN9220	10/100Mbps
USB	USB 1.1 Host	
	USB 2.0 OTG	
SD	SD/MMC Port 0	WiFi Expansion Connector
	SD/MMC Port 1	Standard SD Connector
	SD/MMC Port 2	Expansion Connector
SPI	SPI Port 0	Expansion Connector
	SPI Port 1	Expansion Connector shared with SD/MMC Port 2
UART	UART Port 0	GPS or Expansion Connector
	UART Port 1	Standard DSUB9
	UART Port 2	Expansion Connector
	UART Port 3	Bluetooth or Expansion Connector
JTAG	Standard ARM	JTAG Interface
TV-out		
WiFi/Bluetooth	SDIO , 802.11b, g, n 지원, BT(UART2 and UART3)	
GPS	UART Port 0	
Camera	support Interlaced and Non-Interlaced	CCIR601/656 Standard Camera Interface
ATA HDD		
Sensors	3-Axis Acceleration Sensor	
Keys	4 General Purpose Keys	
	1 Reset Keys	
	1 Tactile Power Keys	

	1 Slide Power Switch	
Indicators	2 Indicator LED controllable	GPIO ports
Expansion Connectors	IrDA, Camera, I2S, SPI0/SPI1, SDIO0/2, EBI, UART, LCD	

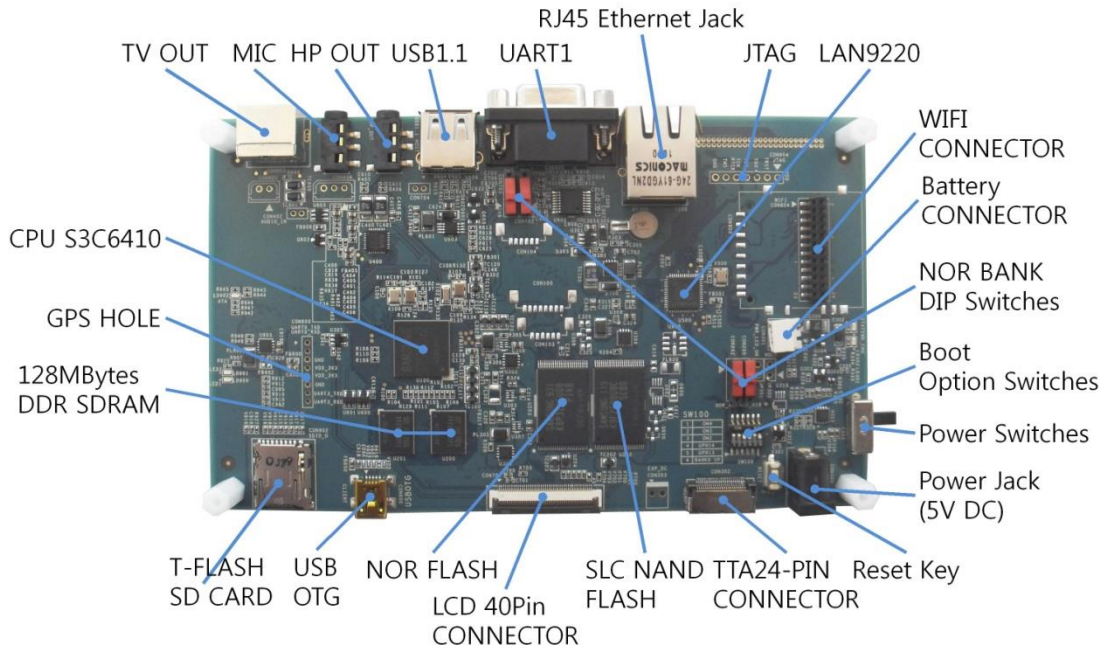
2. Block Diagram

[전체 구성도]



3. Mango64(S3C6410) Revision 부품 배치

3.1. 부품면 TOP



3.2. 부품면 Bottom

