

ARM926EJ-S S3C2450 Mango24R2 Hardware Manual

<http://www.mangoboard.com/>

<http://cafe.naver.com/embeddedcrazyboys>

Crazy Embedded Laboratory

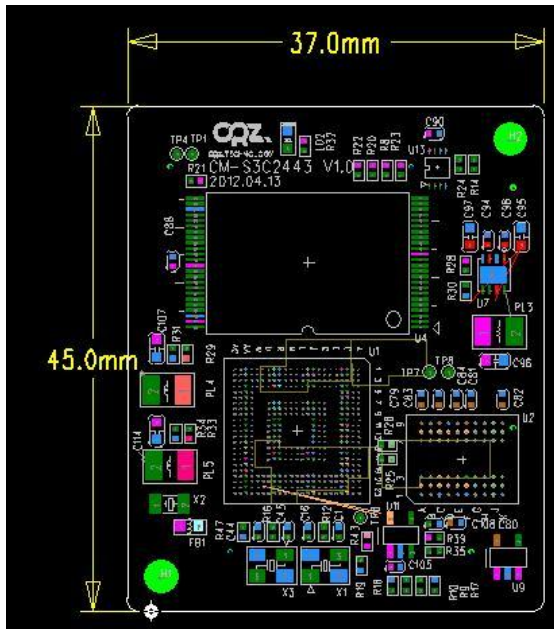
Document History

Revision	Date	Change note

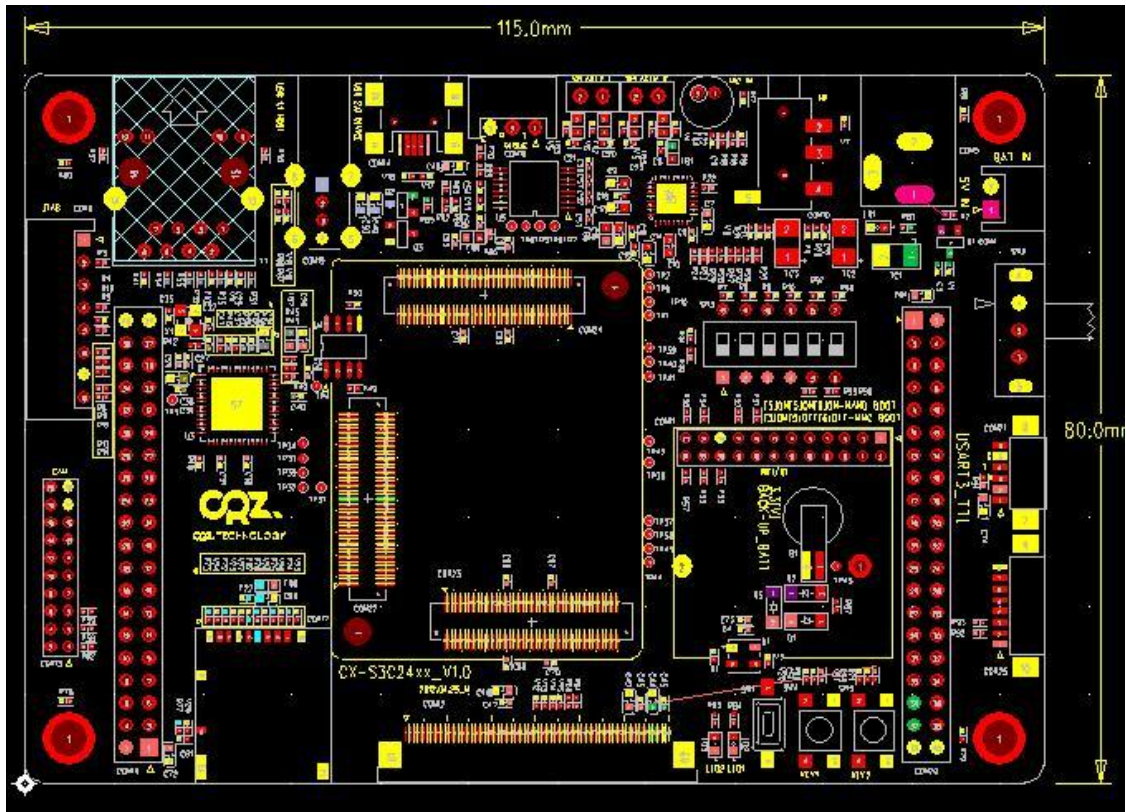
1. Mango24R2 Hardware Specification	4
2. BOOT MODE	10
3. PIN MAP	오류! 책갈피가 정의되어 있지 않습니다.

1. Mango24R2 Hardware Specification

<S3C2450 CM-S3C2450 CPU Module>



Expansion Board(CX-S3C2450)



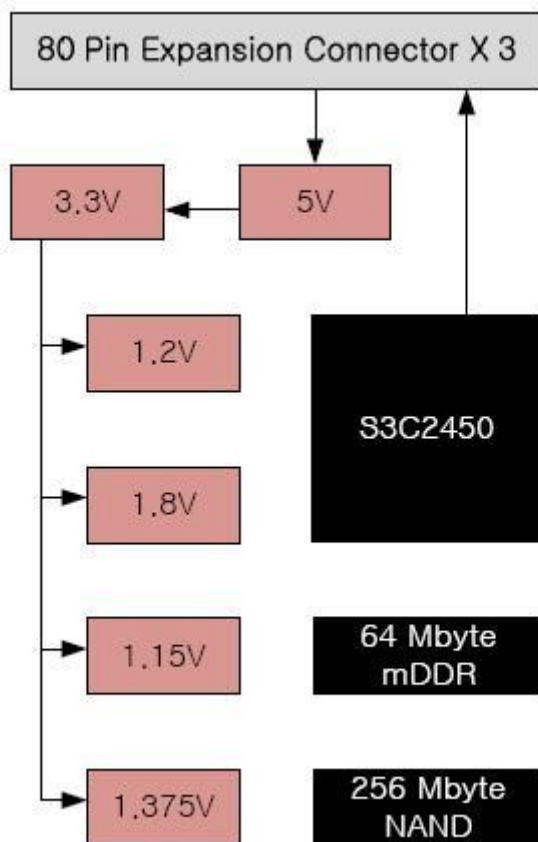
Hardware Specification

Processor	ARM926EJ Samsung S3C2450 533Mhz
RAM	Mobile DDR 64MB
Flash	SLC NAND Flash 256MB
Display	7" 800x480 with touch
Audio	Wolfson WM8960 with 1W Stereo Speaker Amplifier
USB Host 1.1	1 Port (Full Speed)
USB Device 2.0	1 Port
SD	SD/MMC Port0 (WiFi/BT) SD/MMC Port1 (SD Boot)
WiFi/BT	SDIO 0 Channel 802.11B,G,N
Camera	1Port 1.3M Pixel Camera
UART	UART0 UART1 (Debug)

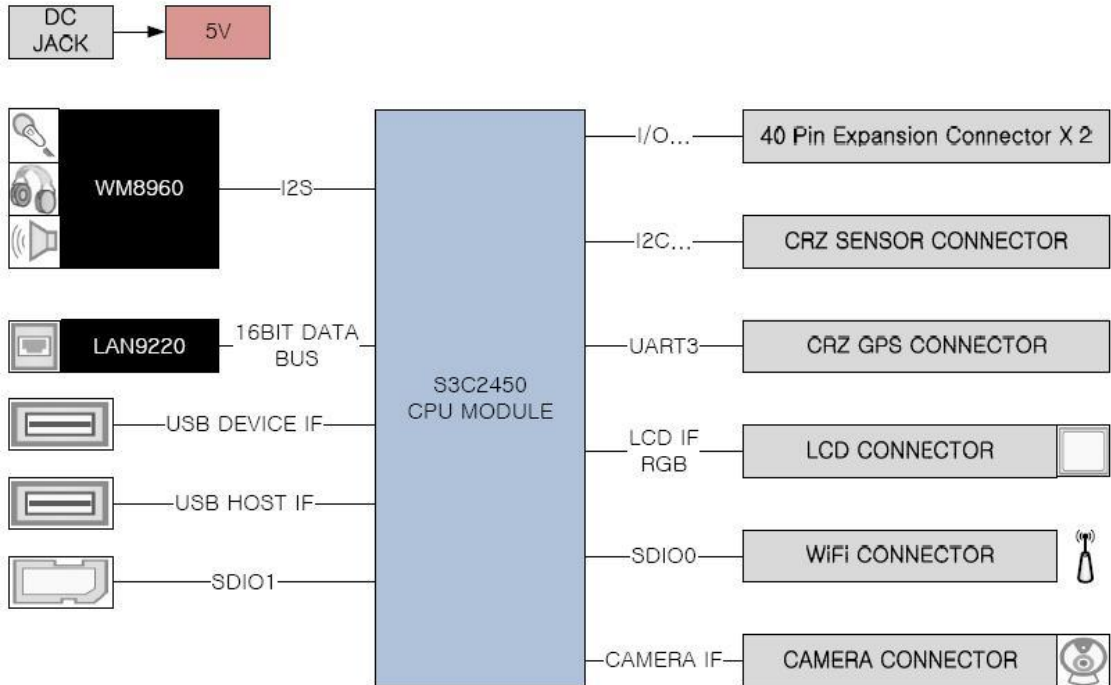
	UART2 (Expansion) UART3(GPS)
Sensor Interface	I2C 0 Port (3-Axis,Gyro,Light,Remocon etc)
Ethernet	SMSC LAN9220 10/100Mps Ethernet Constroller
Power	DC-JACK 5V, 1A
Button	Reset :1 , Button : 2
Boot Switch	1
LED indicator	2
Expansion Connector (80x2)	EBI,UART,I2C GPIO etc

Block Diagram

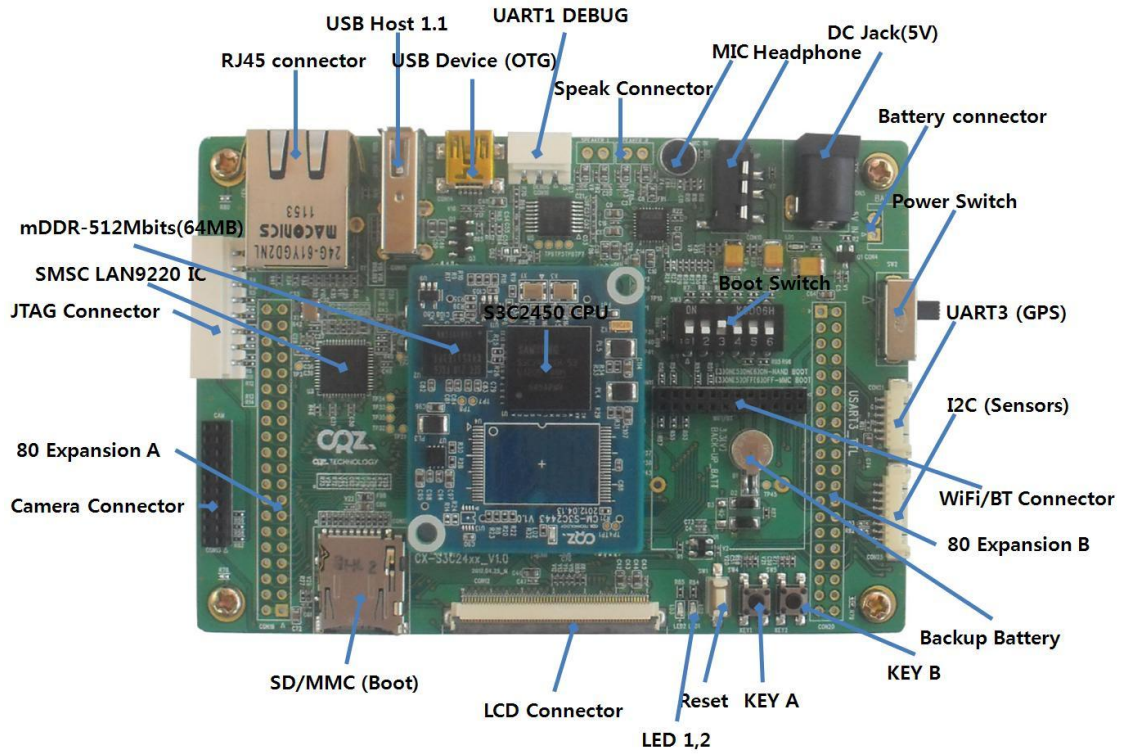
<CM S3C2450 CPU Module>



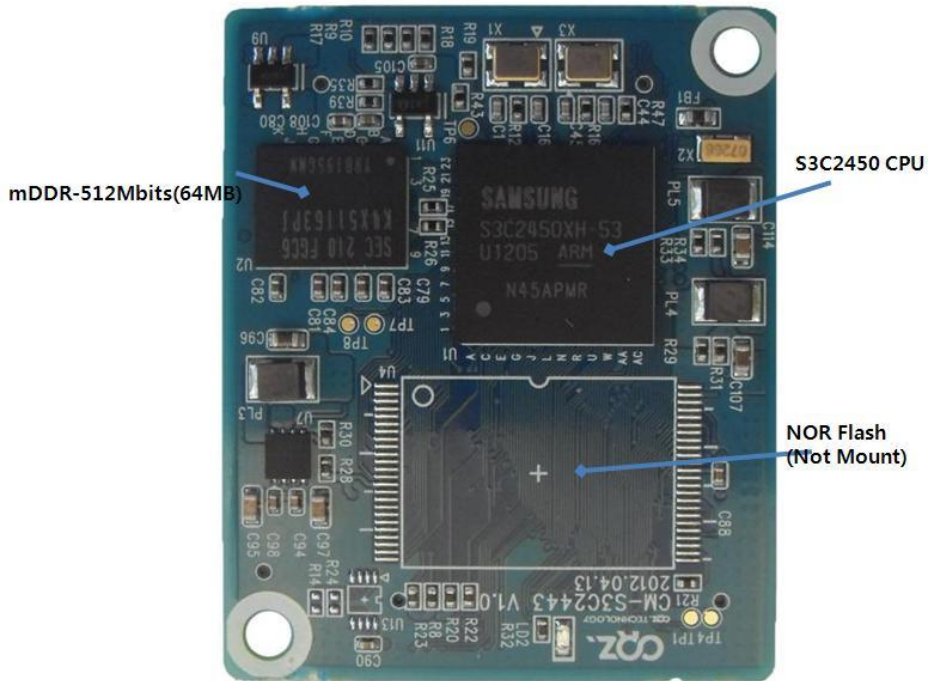
<CM S3C2450 Base Board>

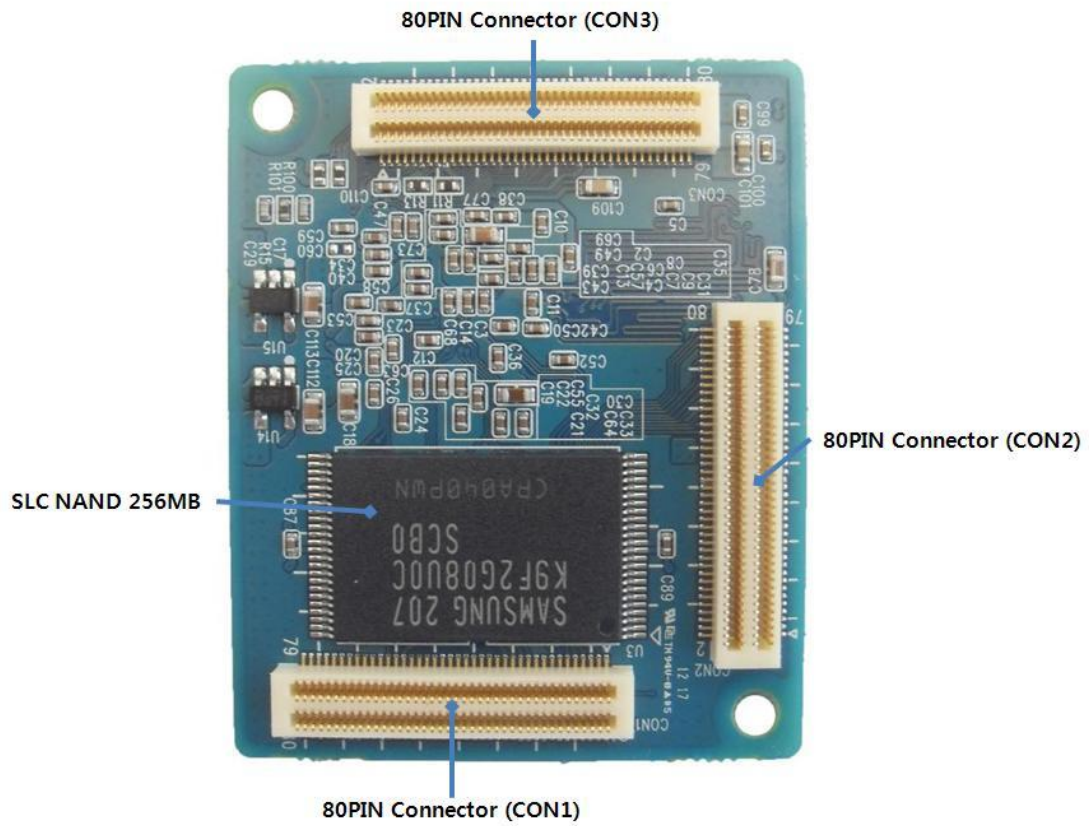


배치도

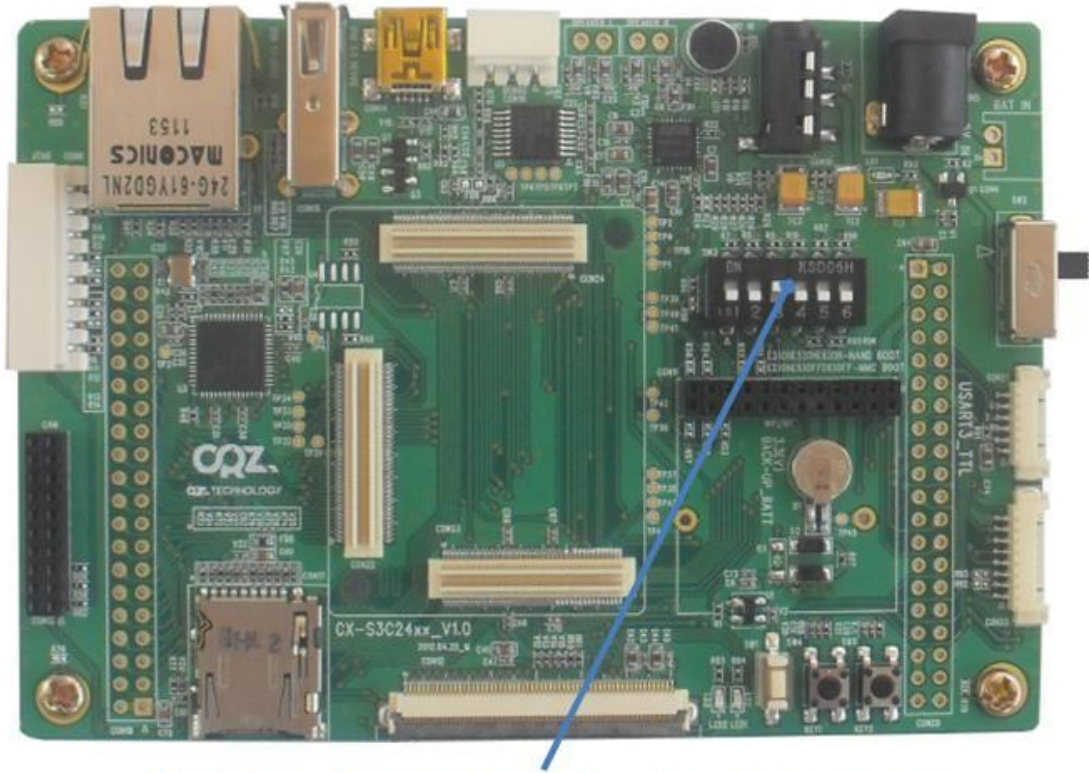


<CPU Module>





2. BOOT MODE



[3] ON [5] ON [6] ON -> NAND BOOT
[3] ON [5] OFF [6] OFF -> MMC BOOT