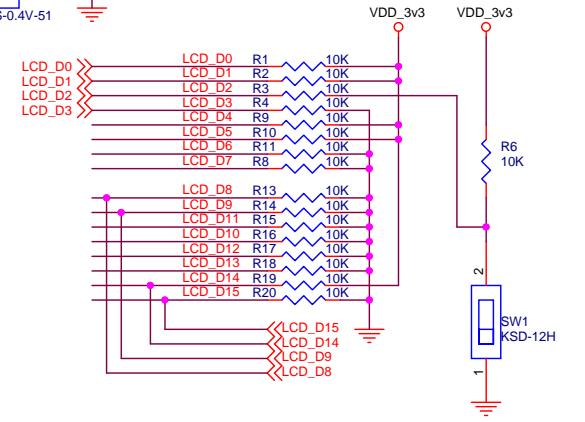
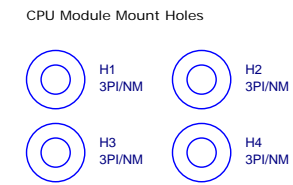
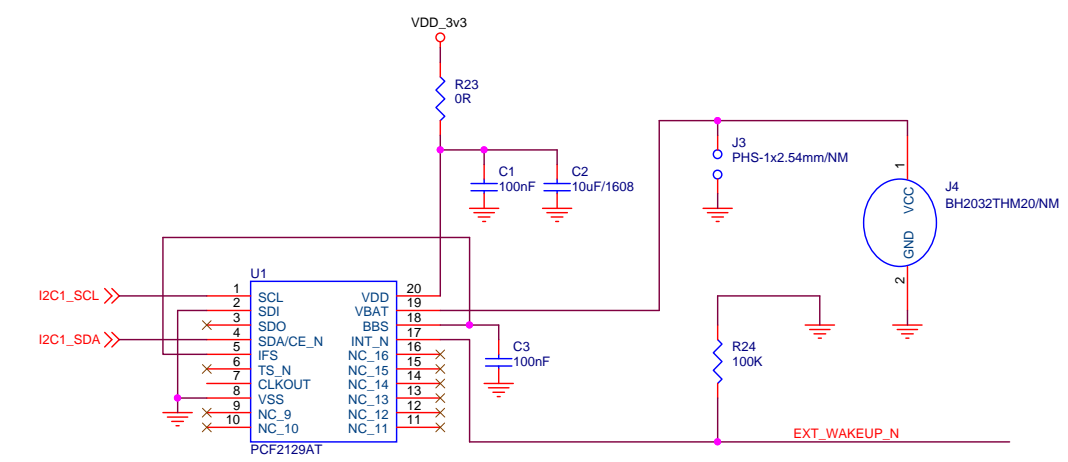
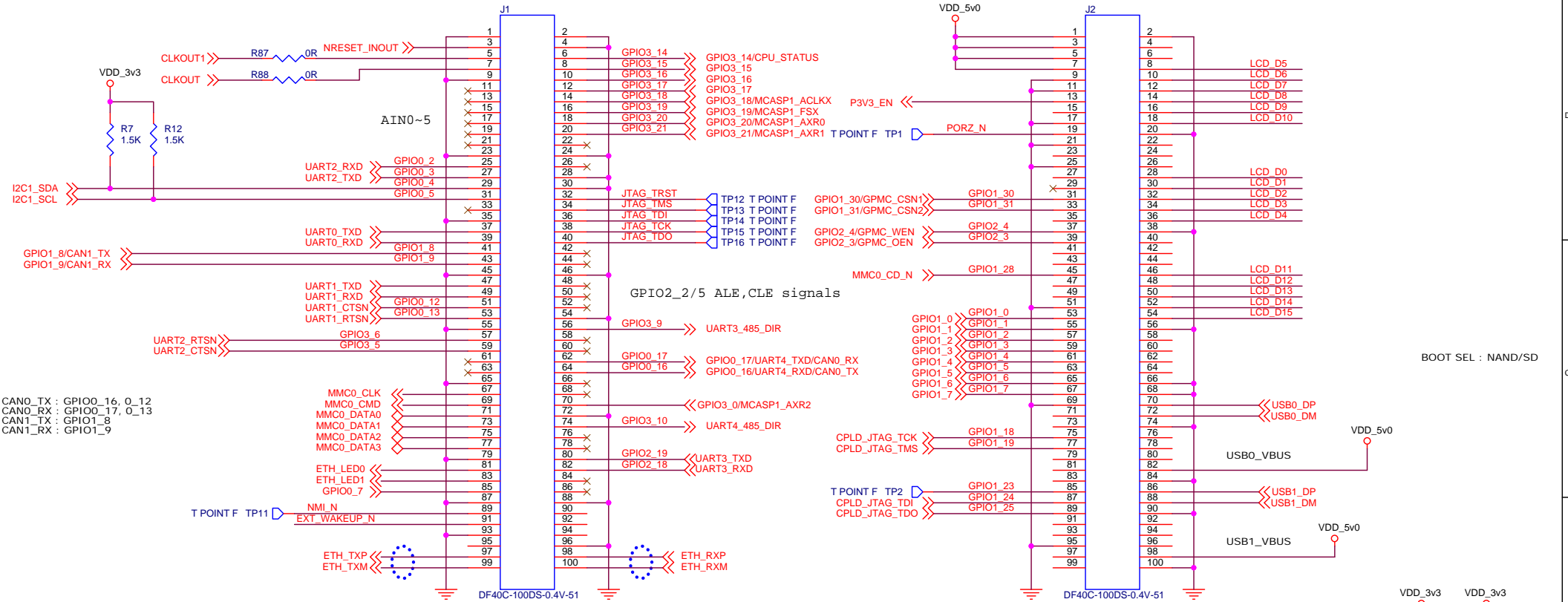


CRZ Technology Co., Ltd		
Title		
CR-CDS100-Rev_1.1		
Size	Document Number	Rev
B	<Doc>	1.1
Date:	Wednesday, July 19, 2017	Sheet 1 of 11



CRZ Technology Co., Ltd		
Title CR-CDS100-Rev_1.1		
Size B	Document Number <Doc>	Rev 1.1
Date: Wednesday, July 19, 2017	Sheet 2	of 11

5

4

3

2

1

D

D

C

C

B

B

A

A

5

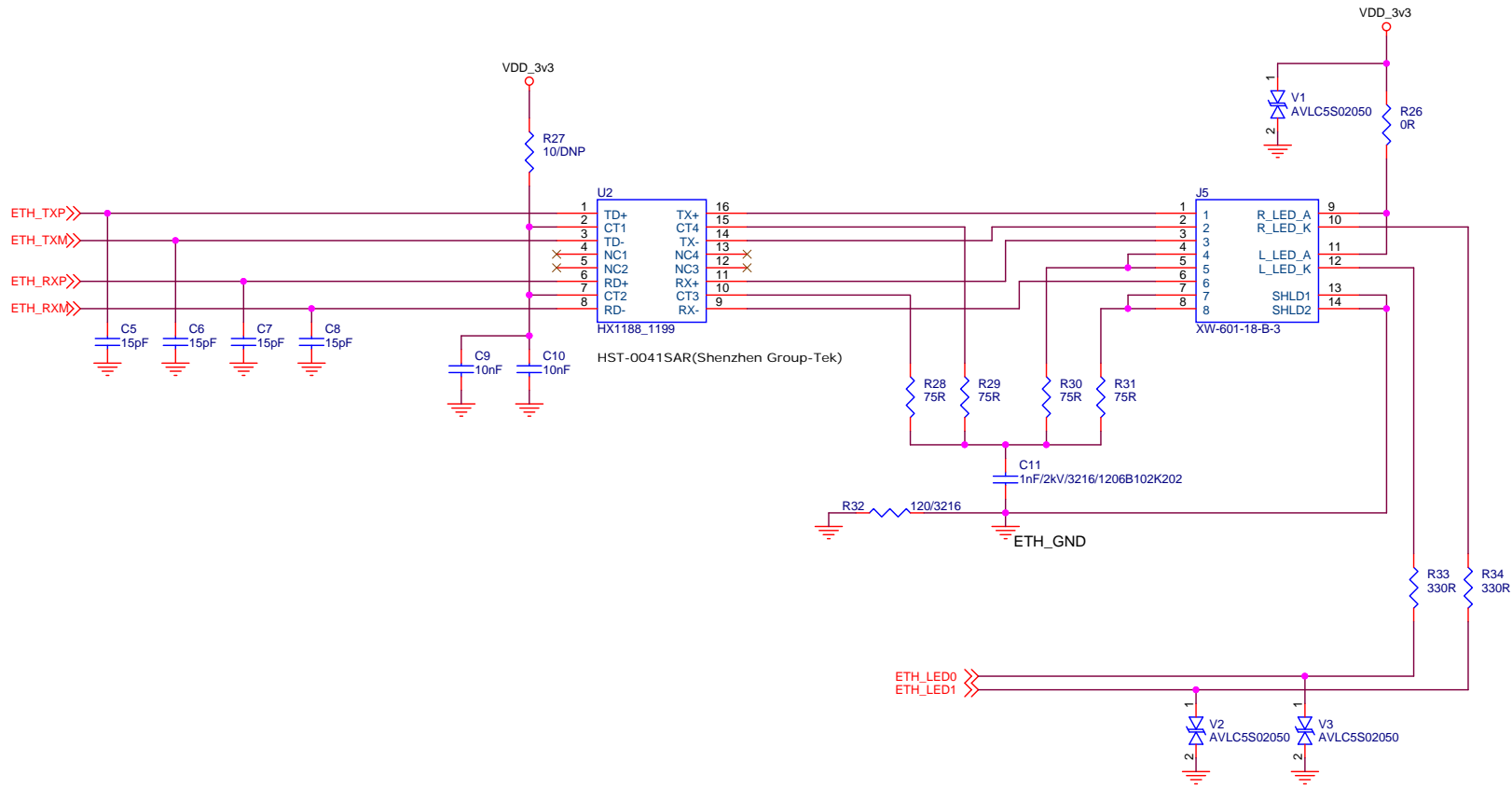
4

3

2

1

CRZ Technology Co., Ltd		
Title		
CR-CDS100-Rev_1.1		
Size	Document Number	Rev
B	<Doc>	1.1
Date:	Wednesday, July 19, 2017	Sheet 3 of 11



CRZ Technology Co., Ltd		
Title		
CR-CDS100-Rev_1.1		
Size	Document Number	Rev
B	<Doc>	1.1
Date:	Wednesday, July 19, 2017	Sheet 4 of 11

5

4

3

2

1

D

D

C

C

B

B

A

A

5

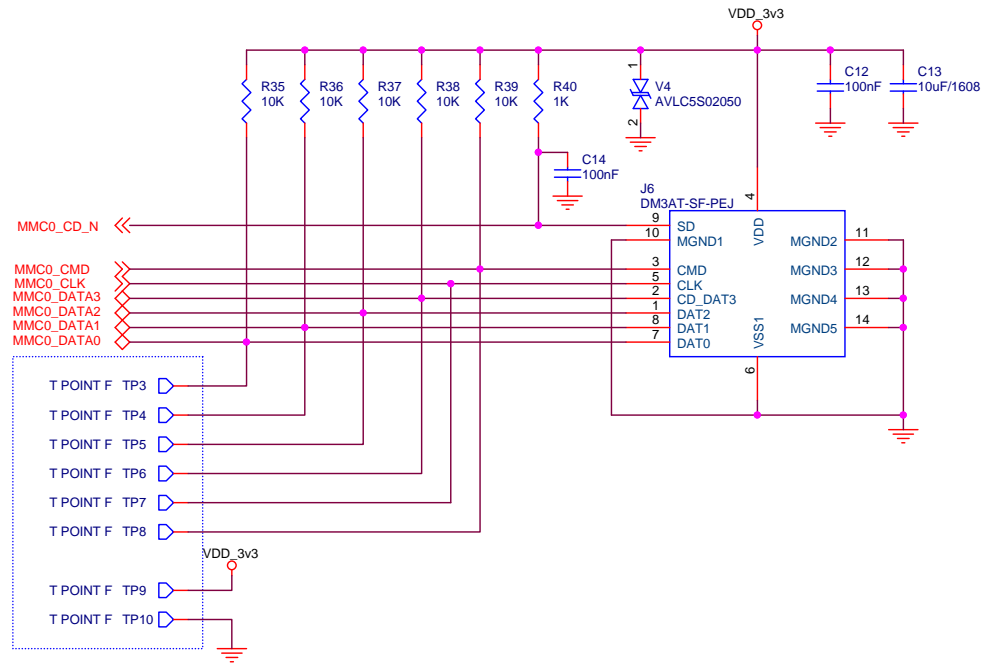
4

3

2

1

CRZ Technology Inc.,		
Title		
CR-CDS100-Rev_1.1		
Size	Document Number	Rev
B	<Doc>	1.1
Date:	Wednesday, July 19, 2017	Sheet 5 of 11

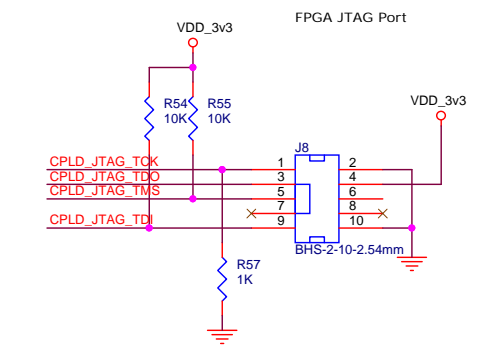
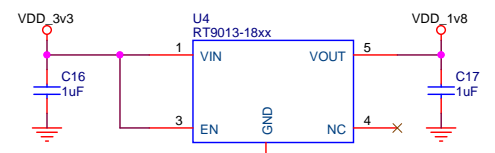
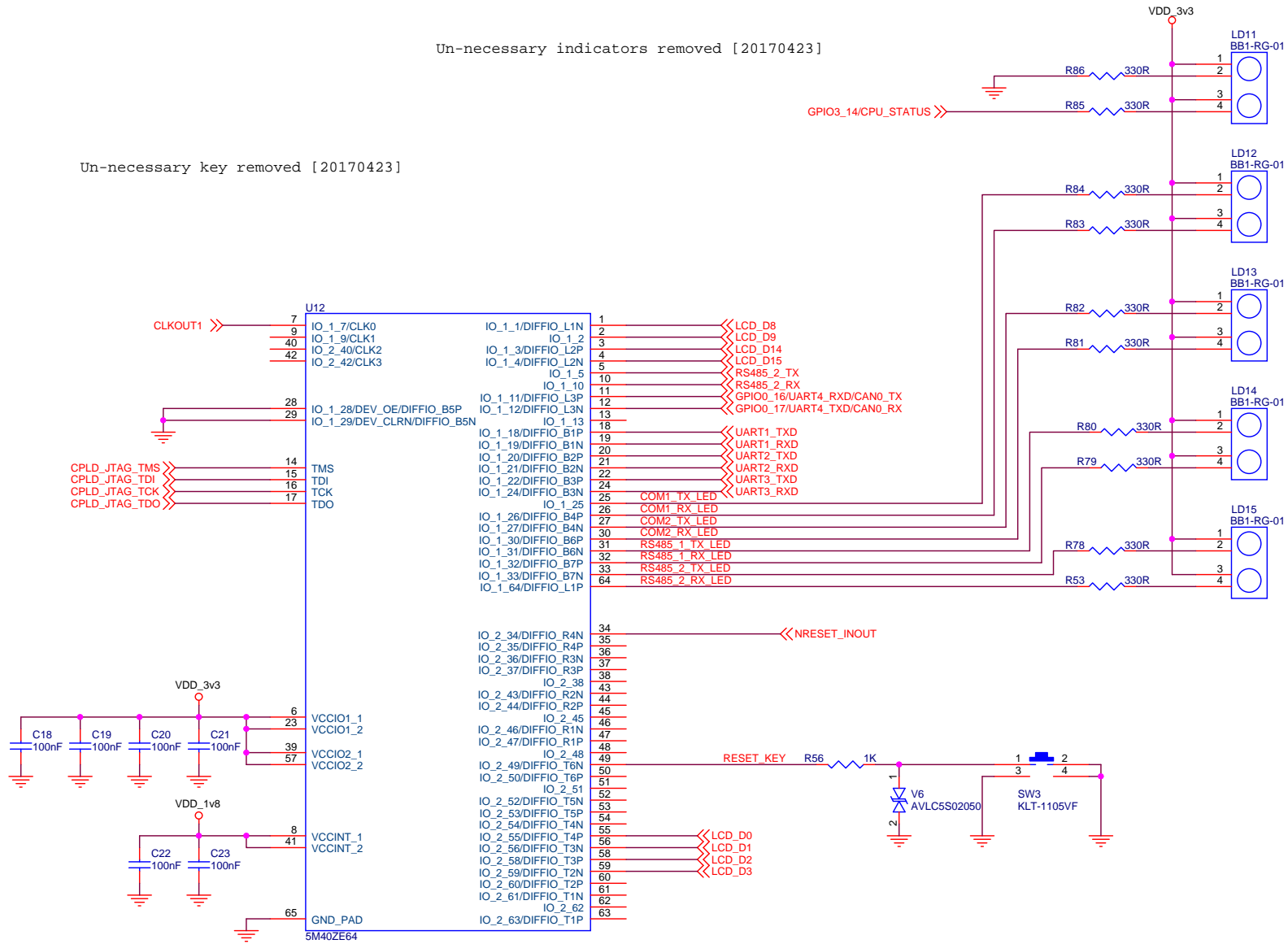


microSD카드 아래쪽 bottom면에 배치한다.
Test Probe 삽입 가능하도록 할 것

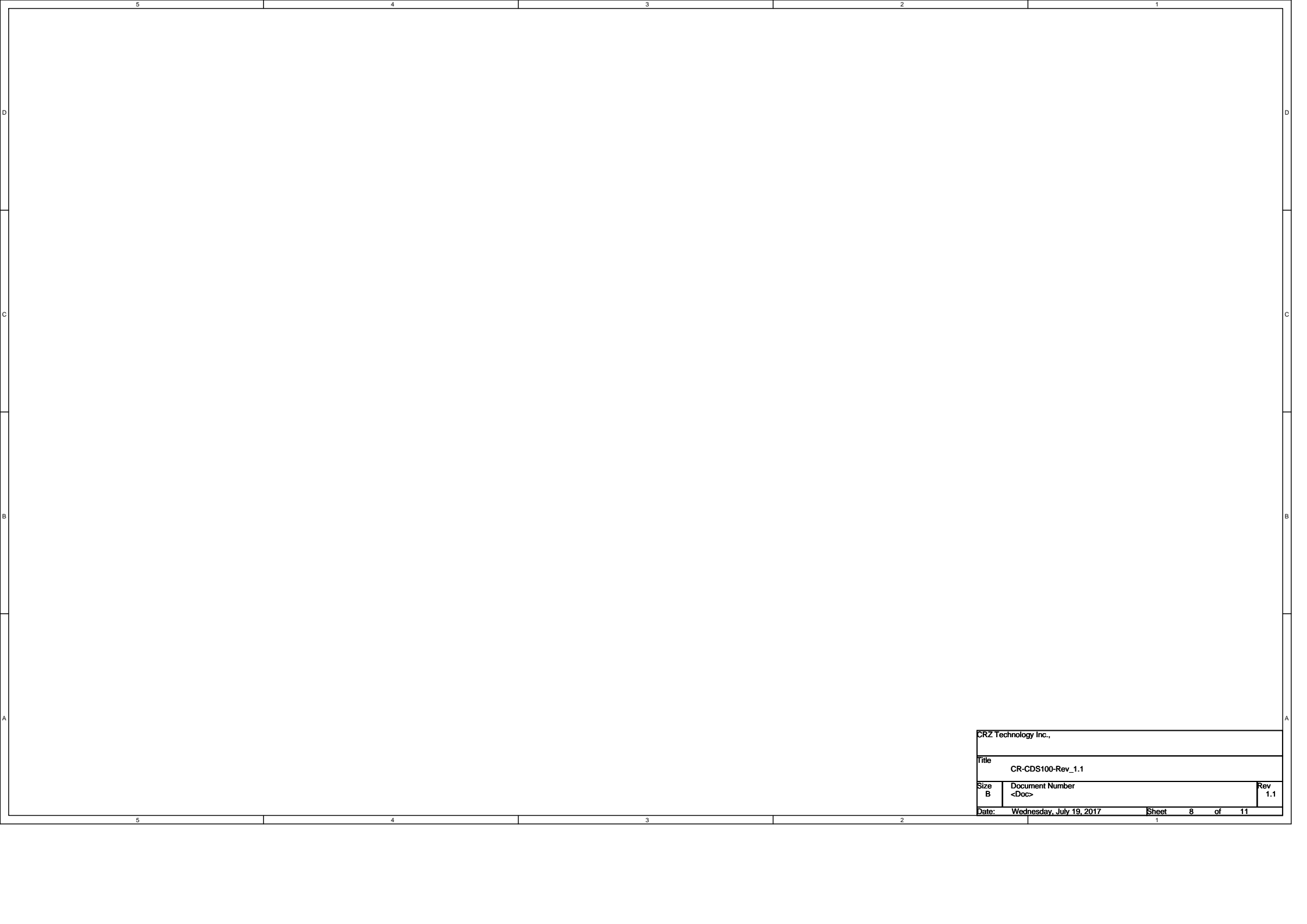
CRZ Technology Co., Ltd		
Title		
CR-CDS100-Rev_1.1		
Size	Document Number	Rev
B	<Doc>	1.1
Date:	Wednesday, July 19, 2017	Sheet 6 of 11

Un-necessary key removed [20170423]

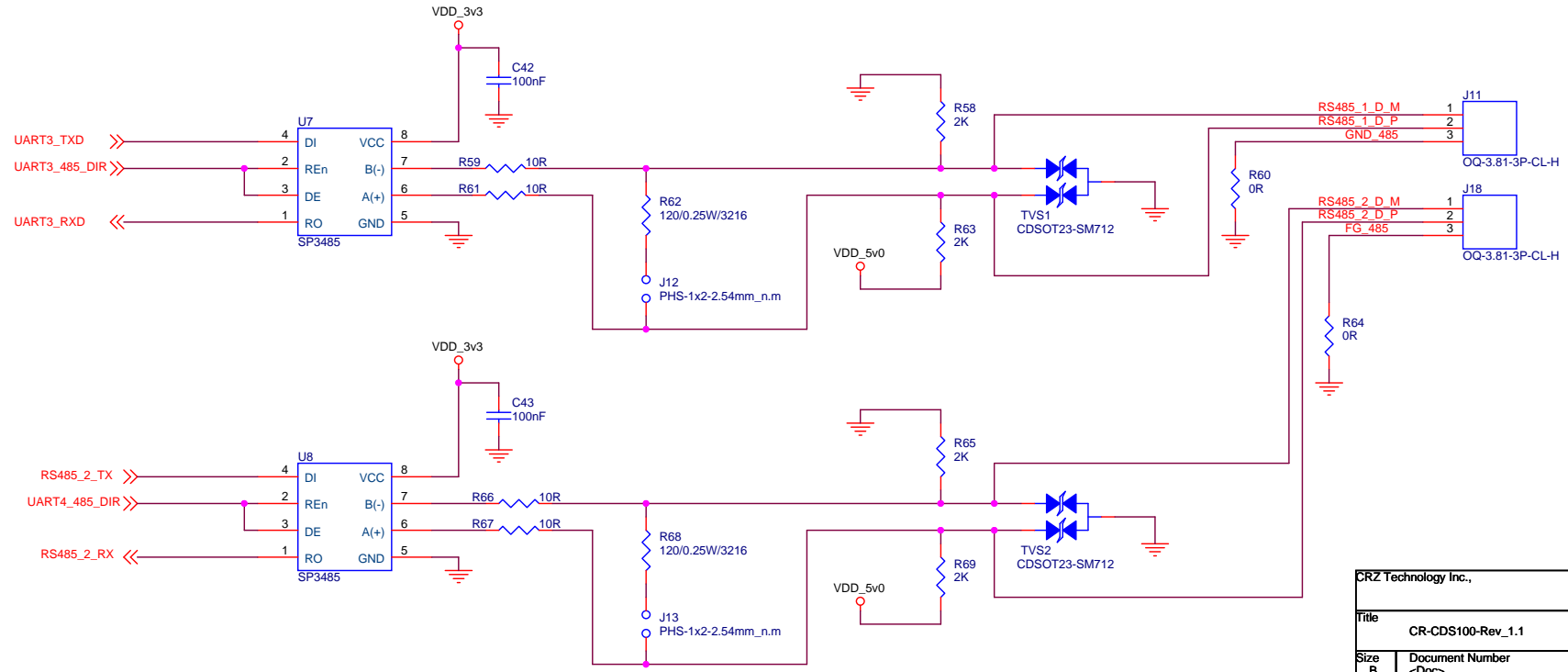
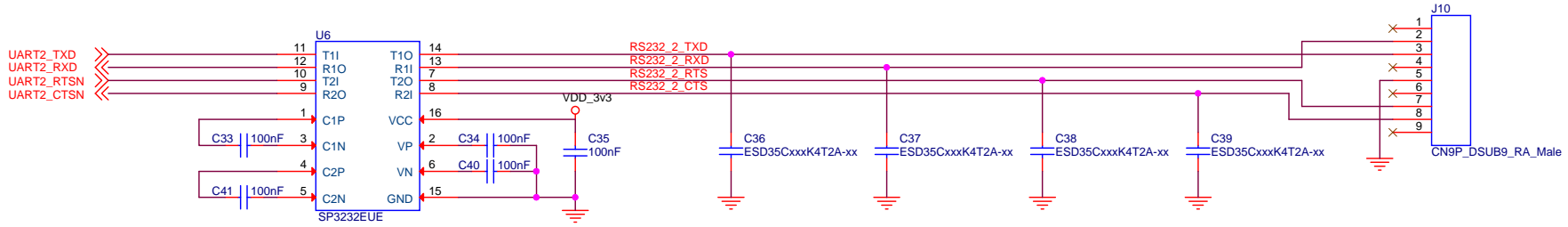
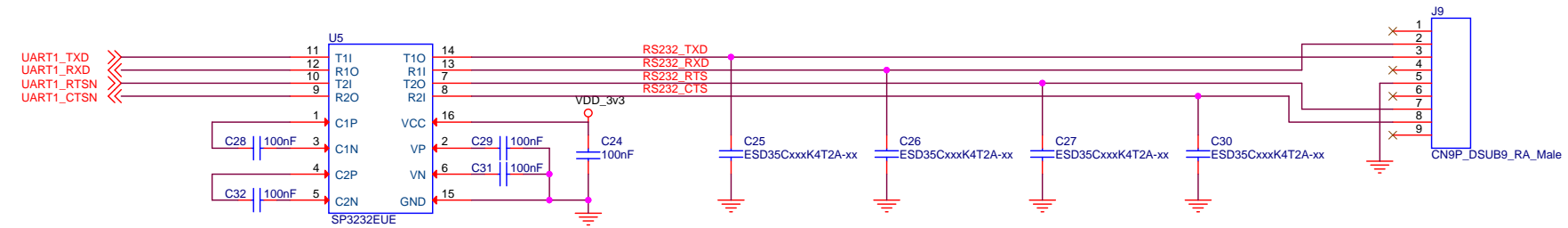
Un-necessary indicators removed [20170423]



CRZ Technology Co., Ltd		
Title CR-CDS100-Rev_1.1		
Size B	Document Number <Doc>	Rev 1.1
Date: Wednesday, July 19, 2017	Sheet 7	of 11

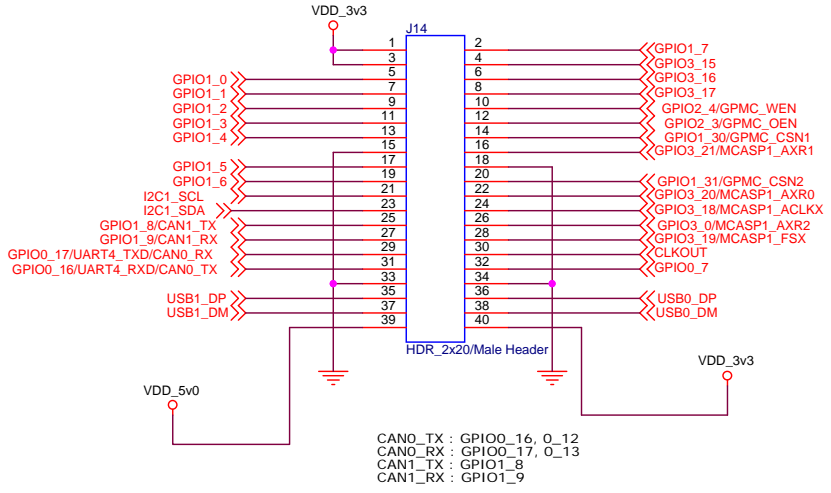


CRZ Technology Inc.,		
Title		
CR-CDS100-Rev_1.1		
Size	Document Number	Rev
B	<Doc>	1.1
Date:	Wednesday, July 19, 2017	Sheet 8 of 11



CRZ Technology Inc.,		
Title		
CR-CDS100-Rev_1.1		
Size	Document Number	Rev
B	<Doc>	1.1
Date:	Wednesday, July 19, 2017	Sheet 9 of 11

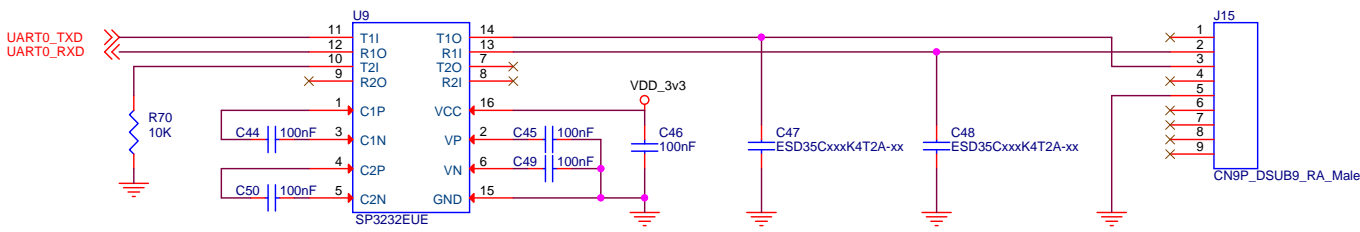
Expansion Connector



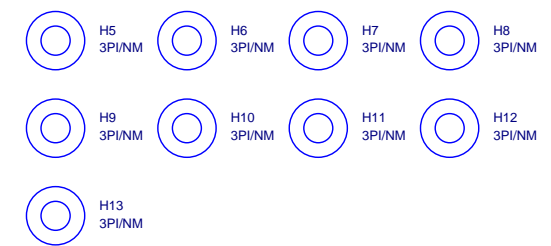
- GPIO3_1 : MCASP1_ACLKX
- GPIO3_0 : MCASP1_AXR2
- GPIO0_29 : MCASP1_AHCLKX
- GPIO0_7 : DACDAT
- GPIO3_21 : MCASP1_AXR1
- GPIO3_20 : MCASP1_AXR0

GPIO3_20으로 MCASP1 기능을 모두 구현할 수 있는지도 살펴 볼 것

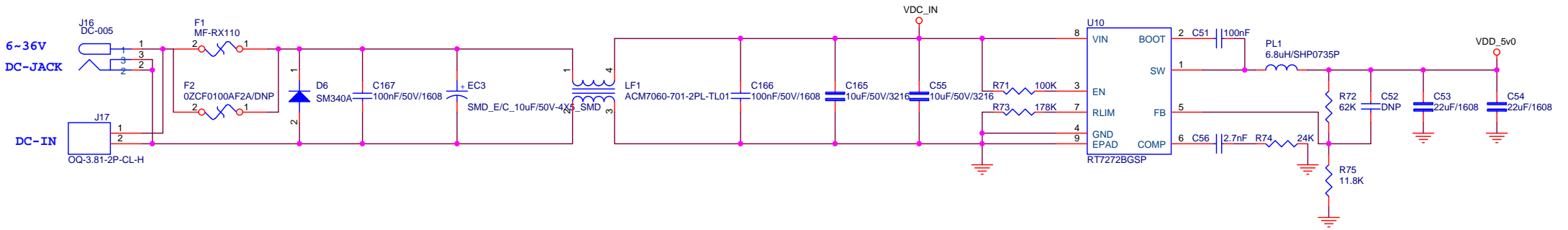
MMC1, GPMC를 동시에 사용할 수 있는 방법은?



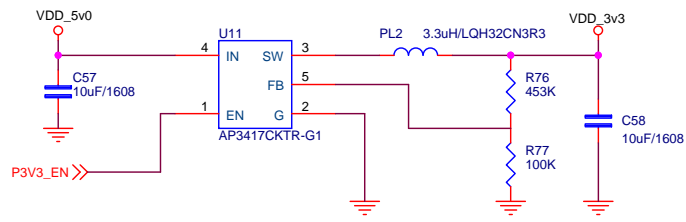
Board Mount Holes : 4 for main, 2 for Add-On



CRZ Technology Co., Ltd		
Title CR-CDS100-Rev_1.1		
Size B	Document Number <Doc>	Rev 1.1
Date: Wednesday, July 19, 2017	Sheet	10 of 11



IO POWER (3.3V/1A)



CRZ Technology Co., Ltd		
Title CR-CDS100-Rev_1.1		
Size B	Document Number <Doc>	Rev 1.1
Date:	Wednesday, July 19, 2017	Sheet 11 of 11