

Mango-Z1-v2

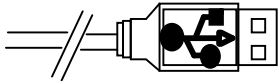
DATE: 8 June 2010

Table Of Contents	Part Reference
P10-1 TITLE	U : Component
P10-2 SYSTEM BLOCK	C : Capacitor
P10-3 HISTORY	R : Resistor
P100 - STM32	V : ESD Varistor
P200 - TRANCEIVER_PA	Q : FET
P300 - Power_USB_RS232	X : Crystal
	BD : Ferrite Bead
	LD : Chip LED
	TP : Test Point
	CON : Connectors

Mango-Z1-v2		
Title		
TITLE		
Size	Document Number	Rev
A	<Doc>	0.1
Date:	Friday, July 09, 2010	Sheet 1 of 6

CORTEX-M3 & ZIGBEE

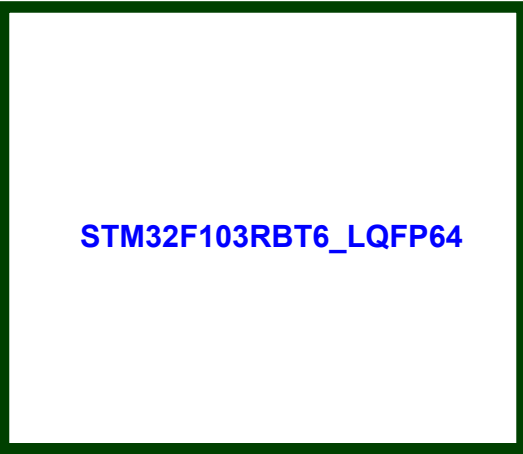
USB2.0 Device



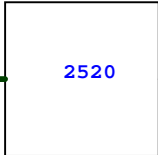
USB2.0 FS
DEVICE

UART1
DSUB9

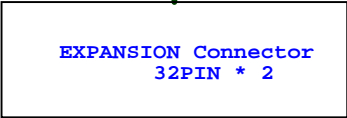
JTAG
STANDARD 20PIN



SPI



ZIGBEE ANT



Mango-Z1		
Title		
SYSTEM & BLOCK		
Size	Document Number	Rev
A4	<Doc>	0.1
Date:	Friday, July 09, 2010	Sheet 2 of 6

5

4

3

2

1

D

D

C

C

B

B

A

A

Mango-Z1		
Title HISTORY		
Size A4	Document Number <Doc>	Rev 0.1
Date: Friday, July 09, 2010	Sheet 3	of 6

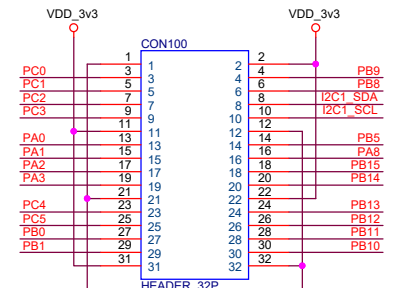
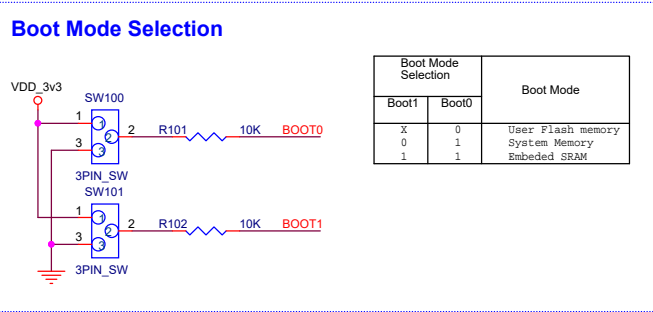
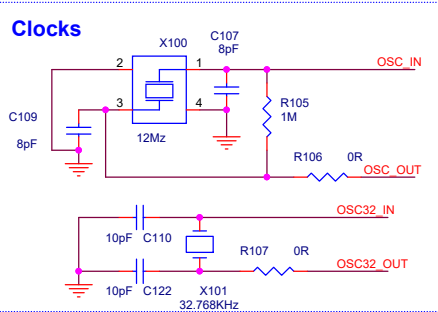
5

4

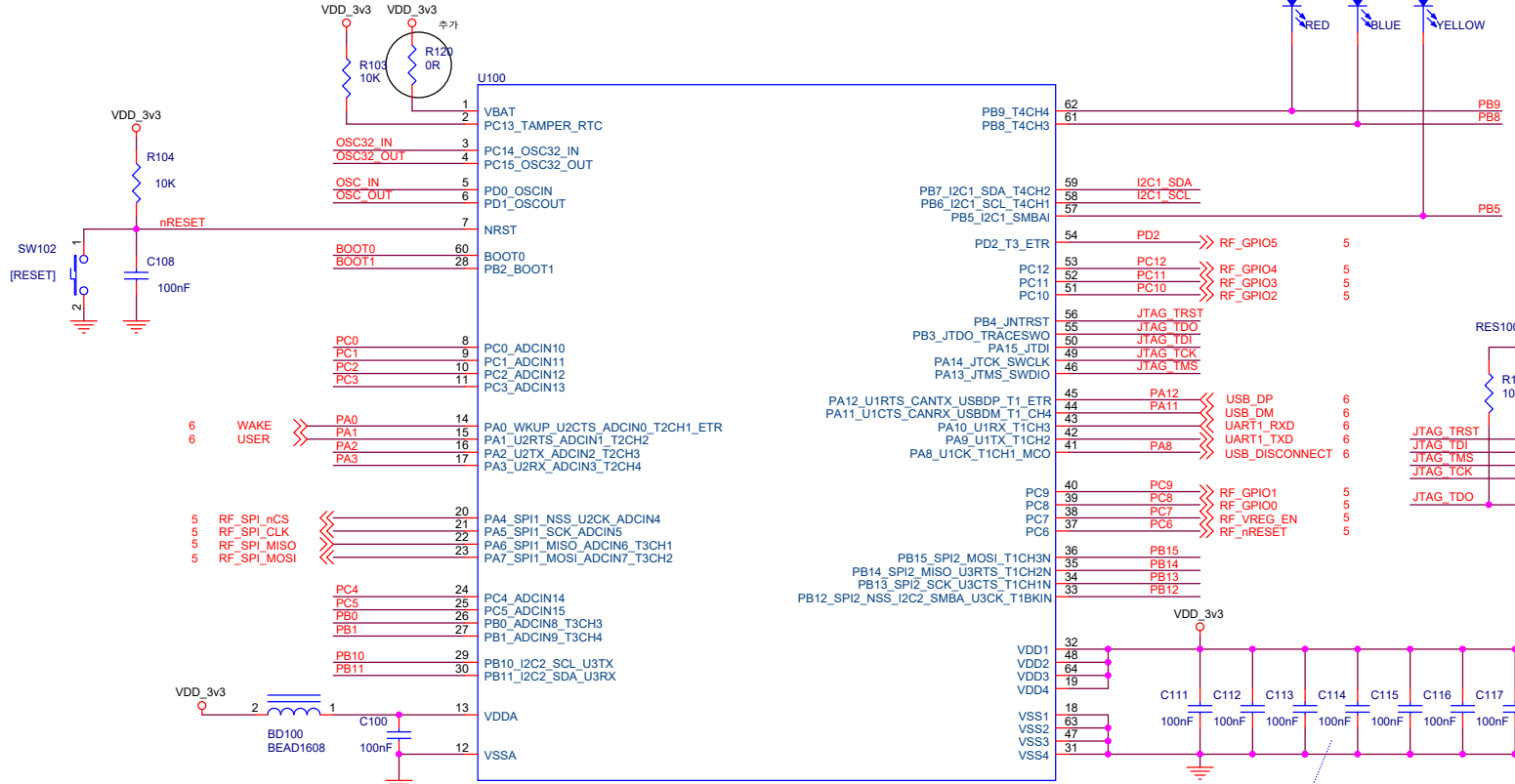
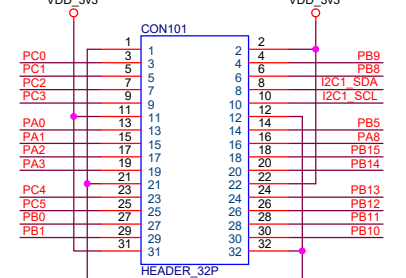
3

2

1



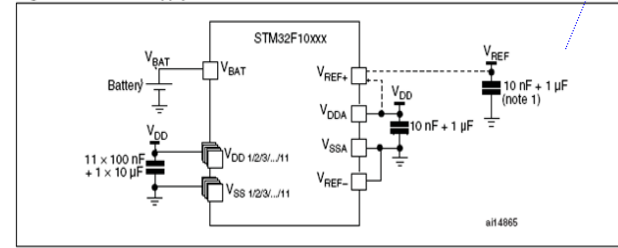
2Pitch_Hole X 2



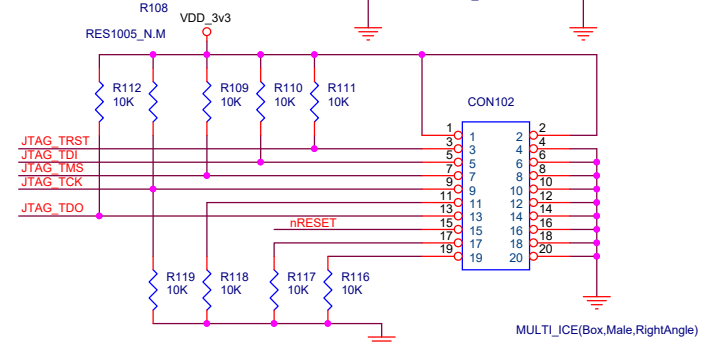
STM32F103RBT6_LQFP64

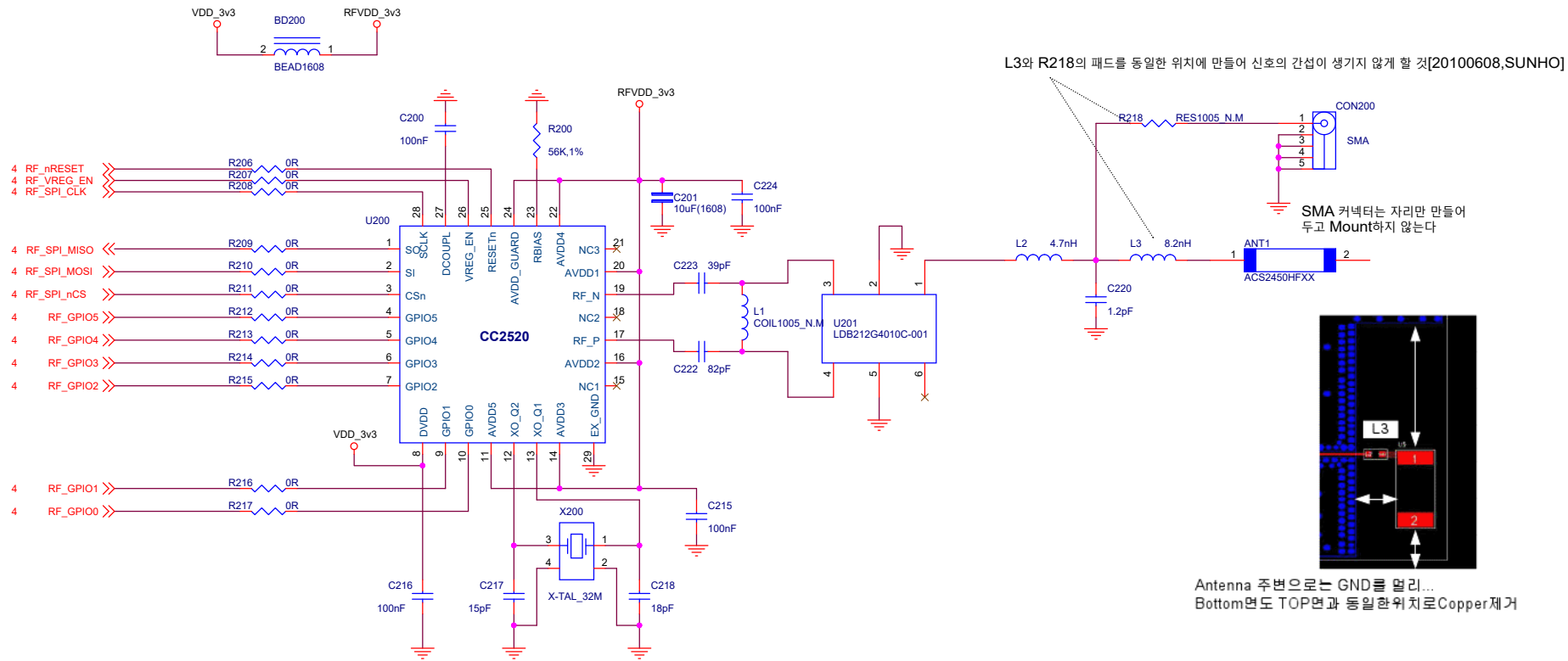
Power Supply 설계 가이드 데로 CAP 배치

Figure 2. Power supply scheme



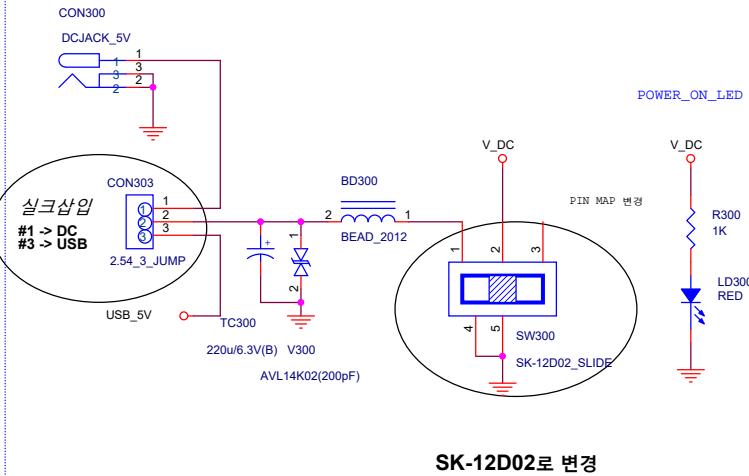
- Optional. If a separate, external reference voltage is connected on VREF+, the two capacitors (10 nF and 1 µF) must be connected.
- VREF+ is either connected to VDDA or to VREF.



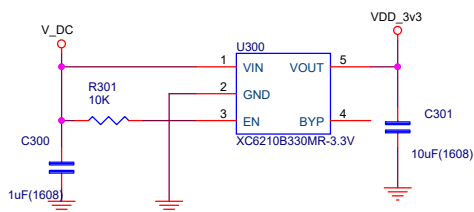


Mango-Z1-v2		
Title CC2520 Zigbee Transceiver		
Size A3	Document Number <Doc>	Rev 0.1
Date: Tuesday, April 19, 2011	Sheet 5	of 6

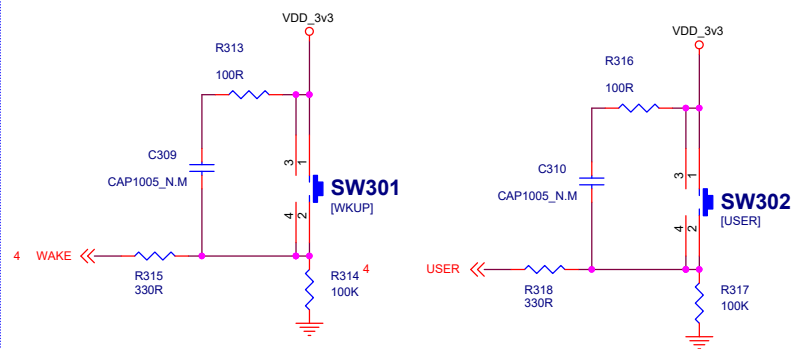
MAIN_SUPPLY



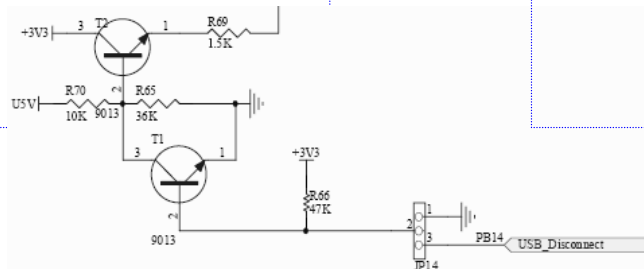
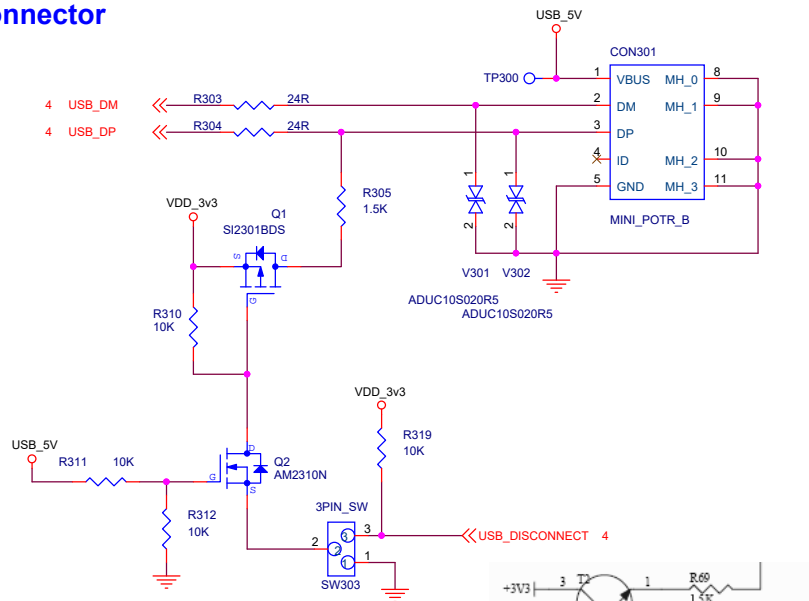
3.3V Power



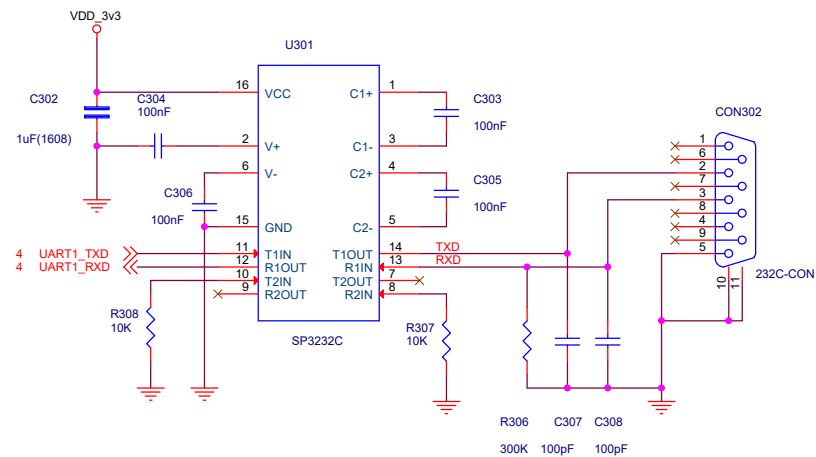
Keys



USB Connector



RS-232C



Mango-Z1-v2		
Title	Peripherals	
Size	Document Number	Rev
A3	<Doc>	0.1
Date:	Friday, July 09, 2010	Sheet 6 of 6