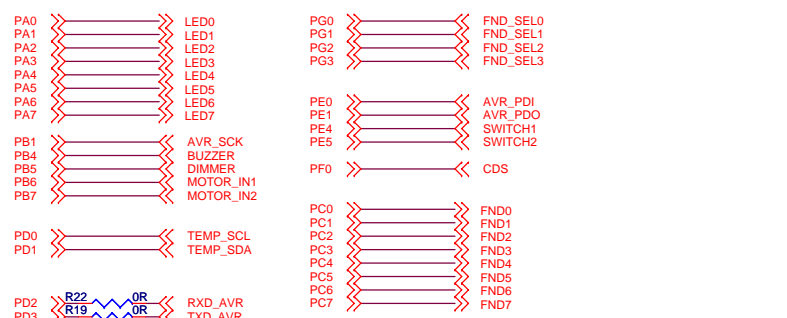
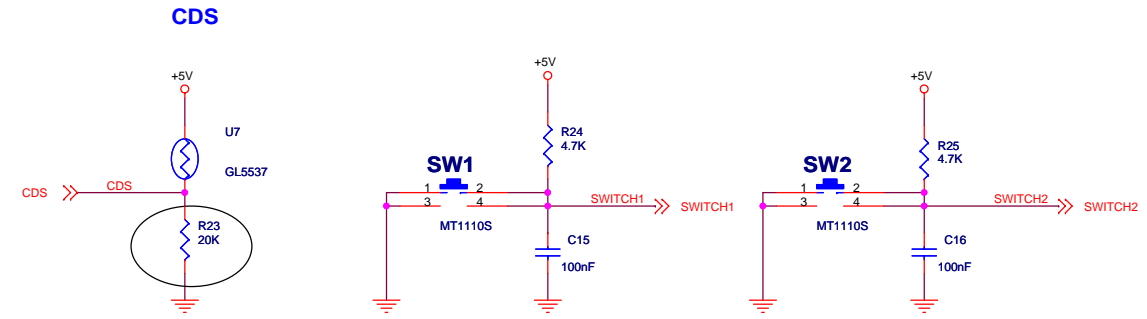
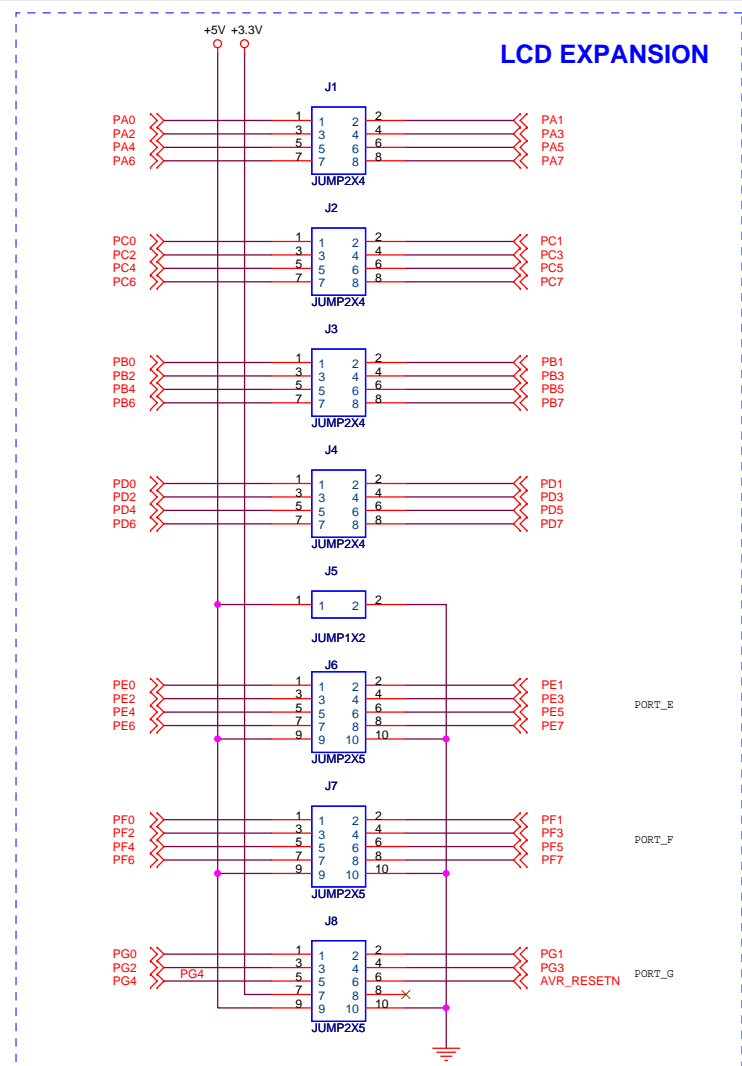
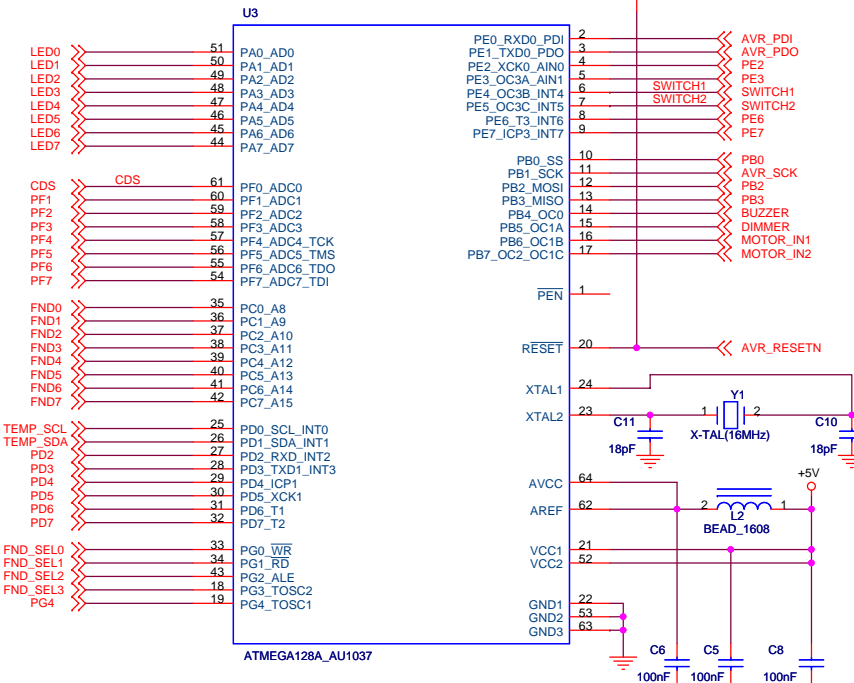


MANGO - AVR128

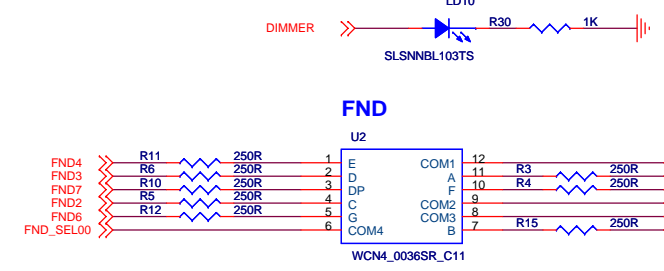
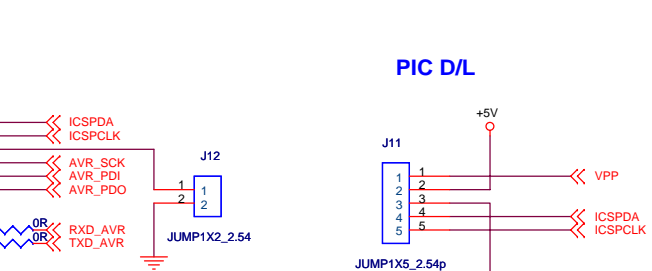
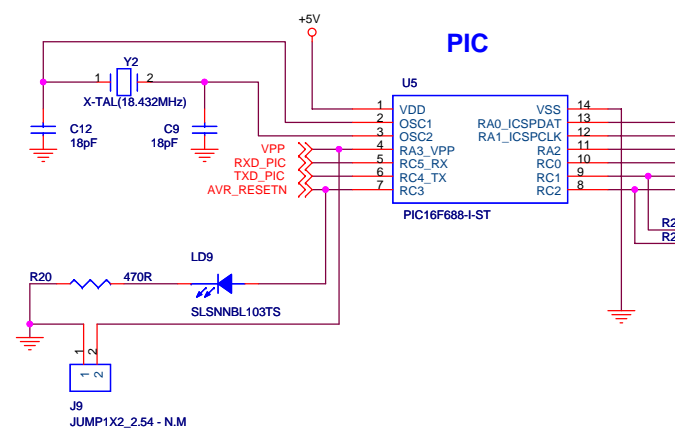
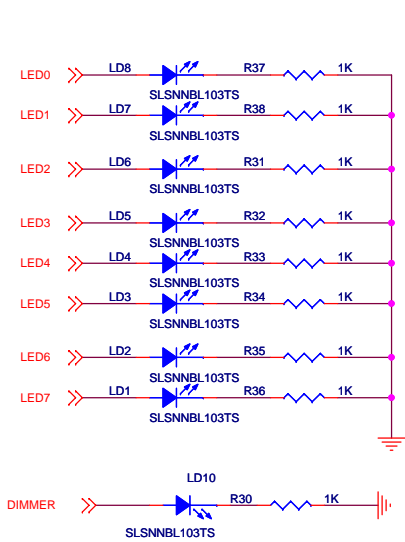
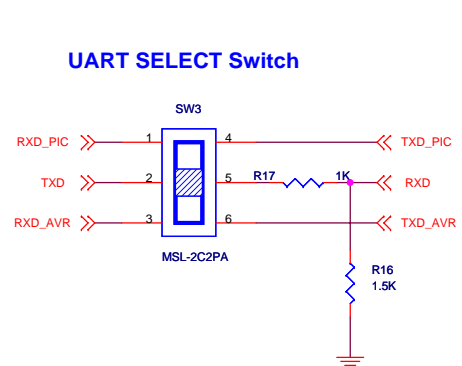
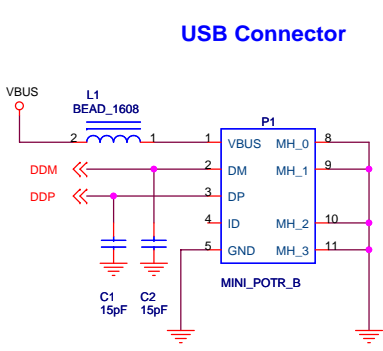
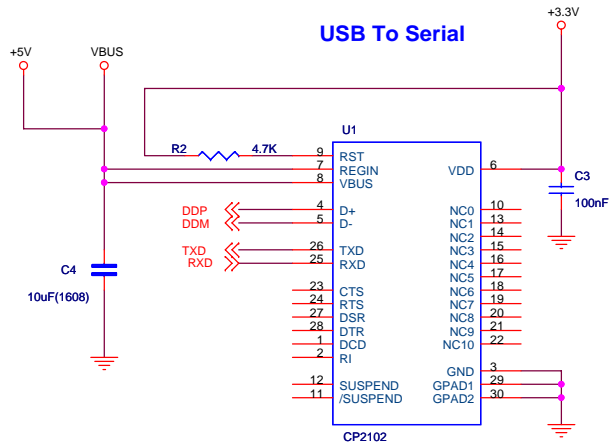
DATE: 2011.08.01

P1 TITLE
P2 ATMEGA128
P3 DEVICE

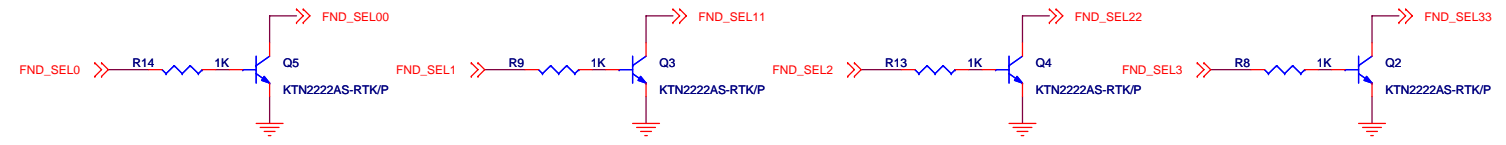
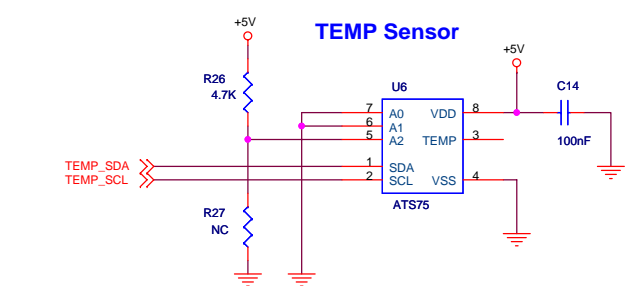
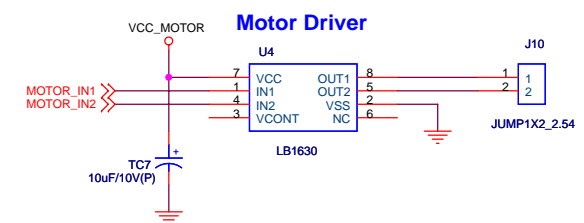
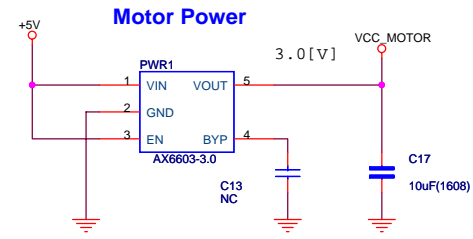
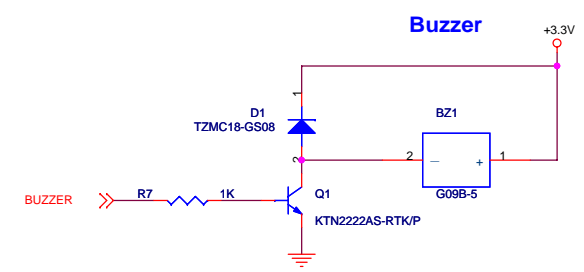
MANGO - AVR128		
Title		
TITLE		
Size	Document Number	Rev
A	<Doc>	0.2
Date:	Monday, August 01, 2011	Sheet 1 of 3



MANGO - AVR128			
Title			
ATMEGA128			
Size	Document Number	Rev	
A3	<Doc>	0.2	
Date:	Monday, August 01, 2011	Sheet	2 of 3



Atmega128 fusing bit protection



MANGO - AVR128 DEVICE		
Title		
Size	Document Number	Rev
A3	<Doc>	0.2
Date:	Monday, August 01, 2011	Sheet 3 of 3